



REGENERATIVE AIR SWEEPER

RegenX™



Built By Elgin® X Designed By You

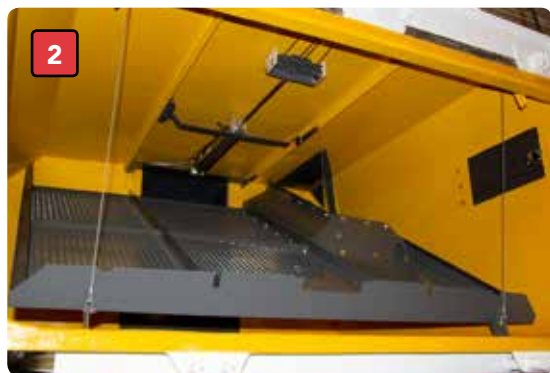
CLEAN...WITHOUT GETTING DIRTY.



EASY TO CLEAN.
EASY TO SERVICE.
EASY TO OPERATE.

IT'S SIMPLE.

- 1 Rounded Corners**
For easier cleaning and better load evacuation
- 2 Drop-Down Screens**
Cable-controlled, activated by switch on side of hopper
- 3 Self-Emptying Dust Separator**
Evacuates dust when hopper is dumped
- 4 Dust Separator Washout Doors**
Easy-access for effective washout of dust separator
- 5 Simple Inlet Design with Deflector**
Deflector loads debris evenly without creating challenges for washout
- 6 Pickup Head Clean Out Port**
Efficiently clean out pickup head while staying clean and dry



THE DIFFERENCE IS SIMPLE.

CONTAINER DUMP HEIGHT

- X Large 8 yd³ hopper capacity
- X 56" inch roll-off container dump height
- X Avoid double-handling from dumping on the ground
- X Improve operational efficiency by placing roll-off containers along your route
- X Comply with environmental restrictions prohibiting dumping on the ground

1 Easy-Access to Service/Maintenance Components

2 Easy-to-Use Controls

- No control modules

3 Superior Side Broom Design

- Pneumatic float for adjustable side broom pressure in cab
- Elgin's trailing arm design provides inward motion to avoid obstacles
- Standard parallelogram linkage allows side brooms to closely follow road contours, and maintain a consistent broom tilt (angle) with the road surface

4 Left-Hand Exhaust

- Helps to avoid contact with tree limbs

5 Easy-Access Switch to Drop Hopper Screens (standard)

6 Bolt-on Hopper Inlet for Easy Replacement

7 Bolt-on, External Dust Separator

8 Slotted Bolt-on Curtain Assembly

- Loosen 4 bolts to remove entire curtain assembly for service

9 Water Level Indicator

- Visible from side mirror while operating

10 Dual Quick Disconnect on Suction Tube

- Quick disconnects at top and bottom of suction tube for ease of maintenance and access to obstructions

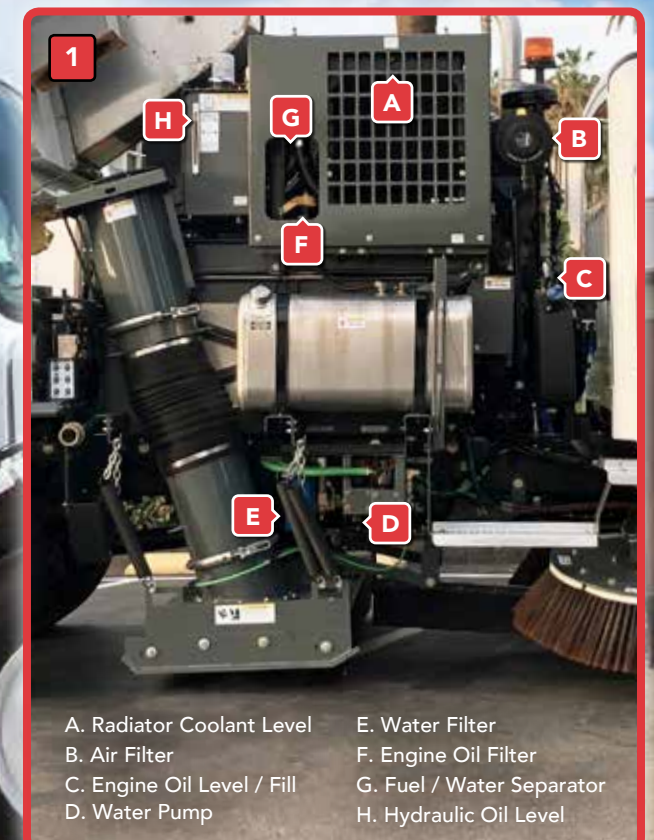
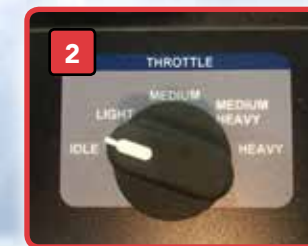
11 Extended Steel Suction Tube

- Minimal corrugation in suction tube for improved material flow

12 Adjustable Bumper

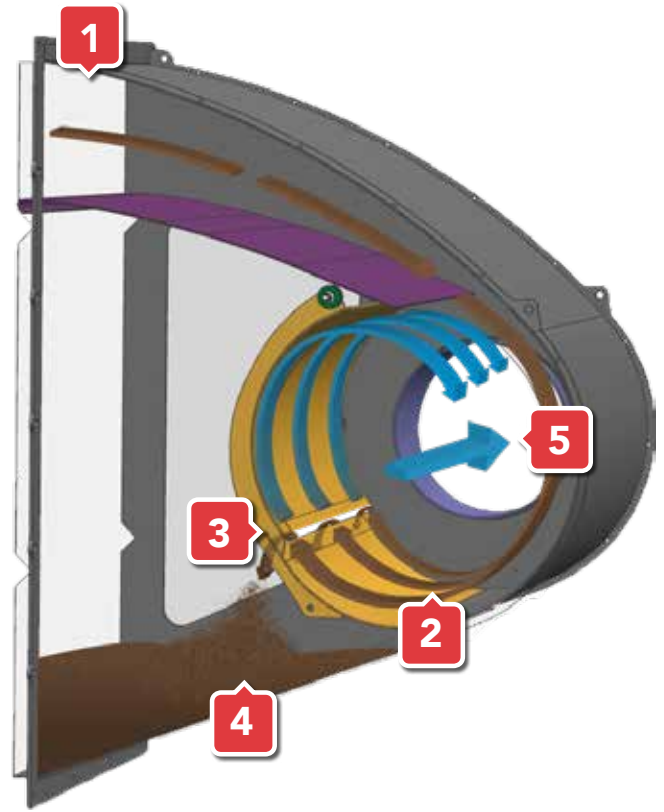
- Customizable to various debris containers

13 Adjustable Hopper Door Locks for Proper Seal



HIGHLY EFFICIENT DUST SEPARATOR

- 1 Dust Separator Inlet**
Dust enters the separator from the hopper
- 2 Centrifugal Separator Design**
Air spins around tube at high speed, forcing dust to outside walls
- 3 Skimmer Slot**
Dust is skimmed off into the collection chamber
- 4 Dust Collection Chamber**
Self-emptying chamber that evacuates when the hopper is dumped
- 5 Fan Inlet**
Clean air exits the separator and returns to the fan



Fan belt change in less than 5 minutes -
NO TOOLS REQUIRED

- 1 Hardox Steel Fan**
 - Highly efficient closed-face fan with backward curved vanes
 - Hardox steel vanes for durability (used in military-grade armor)
 - *Fan change can be executed in approximately 1 hour*
- 2 Sealed-for-Life Bearings**
 - No need to grease fan bearings
 - Secondary seal to prevent dirt from getting into the bearing
- 3 Fluid Coupler**
Acts as torque damper, increases reliability and life of drive system
- 4 Spring-Loaded Belt Tensioner**
Maintains consistent belt tension over time, easy to adjust
- 5 Keyed and Tapered Fan Shaft**
Provides ease of service

FAN DRIVE SYSTEM



Built By Elgin **X** Designed By You

The Elgin Innovation Team traversed the country, speaking to hundreds of customers at all levels within the street sweeping industry, both municipal and contractor, in pursuit of true voice-of-the-customer insights. Months of real-world prototype testing and feedback refined the sweeper design to provide customers with exactly what they want and need, while proving the reliability and durability along the way. The input of service technicians, operators, and street sweeping supervisors shaped every detail of the new **RegenX™** mid-dump regenerative air street sweeper from Elgin Sweeper Company, a sweeper that is **easy to use, easy to clean, and easy to maintain** but still delivers the quality and proven technology that is the hallmark of Elgin Sweeper products.

The new **RegenX** was built by Elgin, but designed by you.

Why Regen**X**™

X Roll-Off Dump Height with 50° Dump Angle and 8 yd³ Hopper

- Avoid double-handling, driving back to the facility to dump, and environmental ground-dumping restrictions

X Incredibly Easy to Clean

- Simple hopper – rounded corners and external self-dumping dust separator
- Easy-access washout doors for dust separator and pickup head
- Cable-controlled drop-down screens standard

X Easy to Service

- Easy to access components with locations determined by experienced service technicians
- Bolt-on wear parts wherever possible (dust separator, hopper inlet, etc.)
- Simple design with no control modules for sweeper functions

X Reliable

- Better cleanout and easier serviceability leads to more reliability
- Highly efficient dust separator and large screen surface area reduce carryover and sand blasting
- Overall simple design – less moving parts, more uptime



ElginSweeper.com/RegenX

Phone (847) 741-5370 • Fax (847) 742-3035

1300 W. Bartlett Road, Elgin, IL 60120 U.S.A.

Specifications subject to change without notice. Some items shown may be optional. Elgin® RegenX™ and LifeLiner® are registered trademarks of Federal Signal Corporation. Hardox® is a registered trademark of Hardox wear plate. Federal Signal Corporation is listed on the NYSE by the symbol FSS.